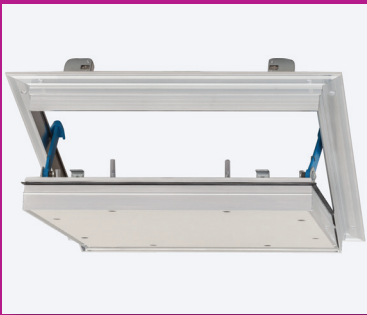


## Acces pannels

### Alumatic-C EI60

inspection hatch air and smoketight for plasterboard ceiling 2 x 15 mm

### Technical Data Sheets



#### Product description:

Alumatic-C EI60 inspection hatch is made of 2 main parts:

► Support frame:

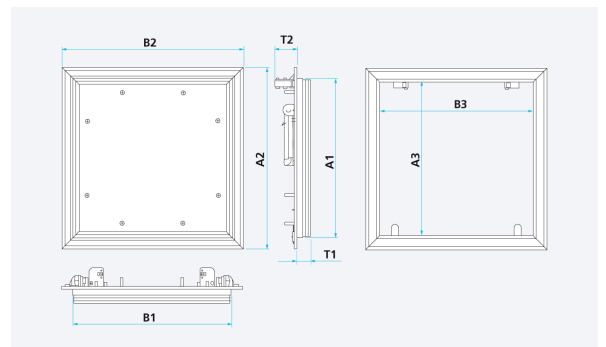
It is made of 4 aluminum corner bars with aluminum cornering and interlocked with the "TOX Joints" system. On the inner side, there is a special intumescent gasket; in case of fire, under the influence of high temperature, it insulates and completely seals the hatch.

► Hatch lid:

It is made of an aluminum frame with a circumferential rubber lip seal. The plasterboards are mechanically fastened on the frame. The lid is fitted with a two-sided fastening system and a click lock system.



EI 60 b → a



#### Codes and dimensions:

Product Code	Weight [Kg]	Nominal dimensions [mm]		Clear width [mm]			
		A	B	A	B	C	E
-	3.2	300	300	289	289	4.1	25
-	5.1	400	400	389	389	4.1	25
-	7.6	500	500	489	489	4.1	25
-	10.6	600	600	589	589	4.1	25



Corrosion Resistance



Technical  
Performance



Durability

### Application:

Alumatic-C EI60 inspection hatches are used in suspended ceilings. They are suitable for use in plasterboard systems made of 2x12,5 mm boards with fire resistance of maximum EI60.

### Advantages:

- ▶ The great value solution
- ▶ High quality rubber lip seal
- ▶ With concealed snap closures
- ▶ Flush installation in gypsum plasterboard ceilings
- ▶ Removable flap lid

### Quality Assurance:

The production process requires the product quality verification after each stage of work.

### Packaging and delivery:

Each hatch is individually packaged in a cardboard box on which the hatch type and fire resistance class are marked. Each cardboard box contains the following elements:

- ▶ Support frame
- ▶ Hatch lid
- ▶ Fire protection set
- ▶ Screws protective sleeves
- ▶ Installation details

### Safety measures:

This product is not classified as hazardous. During installation, observe the general health and safety rules. Use proper tools and wear helmet, gloves and glasses.

Imported by:  
Etex Building Performance S.A.  
98 Vulturilor Street, floor 5-6, 030857 Bucharest, District 3, Romania  
Phone (+40) 312 24 01 00  
Fax (+4) 031 224 01 01  
[www.siniat.ro](http://www.siniat.ro)