

Access panels

ALUMATIC-W EI30

inspection hatch for shaft-walls
2 x 12.5 mm

Technical Data Sheet



Product description:

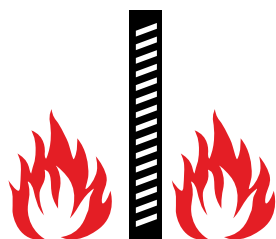
ALUMATIC-W EI30 inspection hatch is made of 2 main parts:

► Support frame:

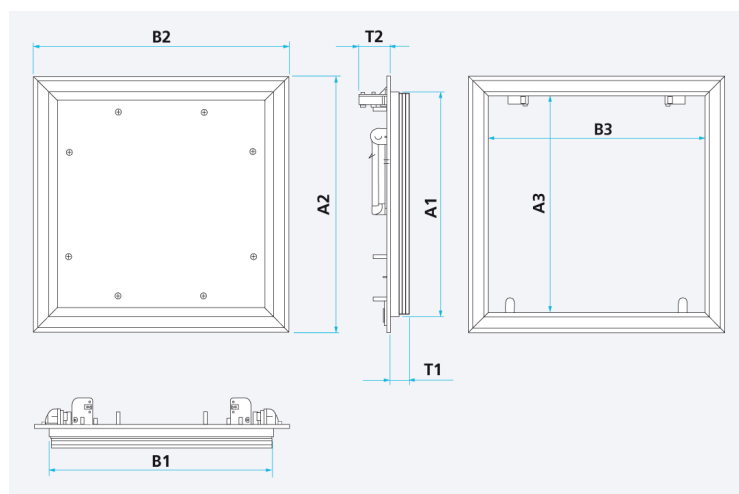
It is made of 4 aluminum corner bars with aluminum cornering and interlocked with the "TOX Joints" system. On the inner side a special intumescent gasket is provided, in case of fire, under the influence of high temperature, it isolates and completely seals the inspection hatch.

► Hatch lid:

It is made of an aluminum frame with a circumferential rubber lip seal. A plasterboard is mechanically attached to the frame. The lid is fitted with a two-sided fastening system and a click lock system.



EI 30 i↔o



Codes and dimensions:

Size A x B (V)	Installation dimension A1 x B1	Outer dimension A2 x B2	Clear width A3 x B3	Depth T1	Depth T2	Weight (kg)
200 x 200	197 x 197	239 x 239	189 x 189	26	41	1.6
300 x 300	297 x 297	339 x 339	289 x 289	26	41	2.6
400 x 400	397 x 397	439 x 439	389 x 389	26	41	4.2
500 x 500	497 x 497	539 x 539	489 x 489	26	41	6.2
1.000 x 500	997 x 497	1039 x 539	989 x 489	26	41	11.7
600 x 600	597 x 597	639 x 639	589 x 589	26	41	8.5
800 x 600	797 x 597	839 x 639	789 x 589	26	41	11.3
1.000 x 600	997 x 597	1039 x 639	989 x 589	26	41	13.8
800 x 800	797 x 797	839 x 839	789 x 789	26	41	14.6
1.000 x 1.000	997 x 997	1039 x 1039	989 x 989	26	41	22.4





Corrosion Resistance



Technical
Performance



Durability

Application:

ALUMATIC-W EI30 inspection hatches are used in installation shafts. They are suitable for use in plasterboard systems made of 2 x12,5 mm boards with fire resistance of maximum EI30.

Advantages:

- ▶ Rubber lip seal
- ▶ Installation of the flap at same level
- ▶ With concealed snap closures
- ▶ Fixing device on both sides

Quality Assurance:

The production process requires the product quality verification after each stage of work.

Packaging and delivery:

Each hatch is individually packaged in a cardboard box on which the hatch type and fire resistance class are marked. Each cardboard box contains the following elements:

- ▶ Support frame
- ▶ Hatch lid
- ▶ Screws protective sleeves
- ▶ Installation details

Safety measures:

This product is not classified as hazardous During installation, observe the general health and safety rules. Use proper tools and wear helmet, gloves and glasses.

Etex Building Performance S.A.
98 Vulturilor Street, floor 5-6, 030857 Bucharest, District 3, Romania
Phone (+40) 312 24 01 00
Fax (+4) 031 224 01 01
www.siniat.ro